

Technical specification

## Lithium Titanate Oxid Battery Cell - LTO 2.3V 40AH (Cylindrical)

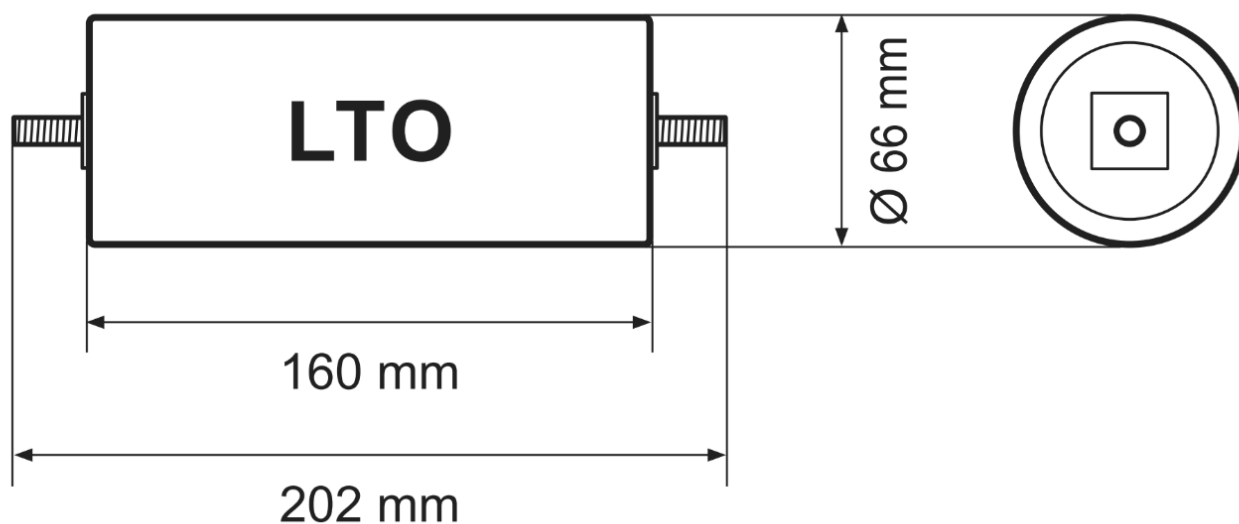


Product code: LTO-40AH-CY

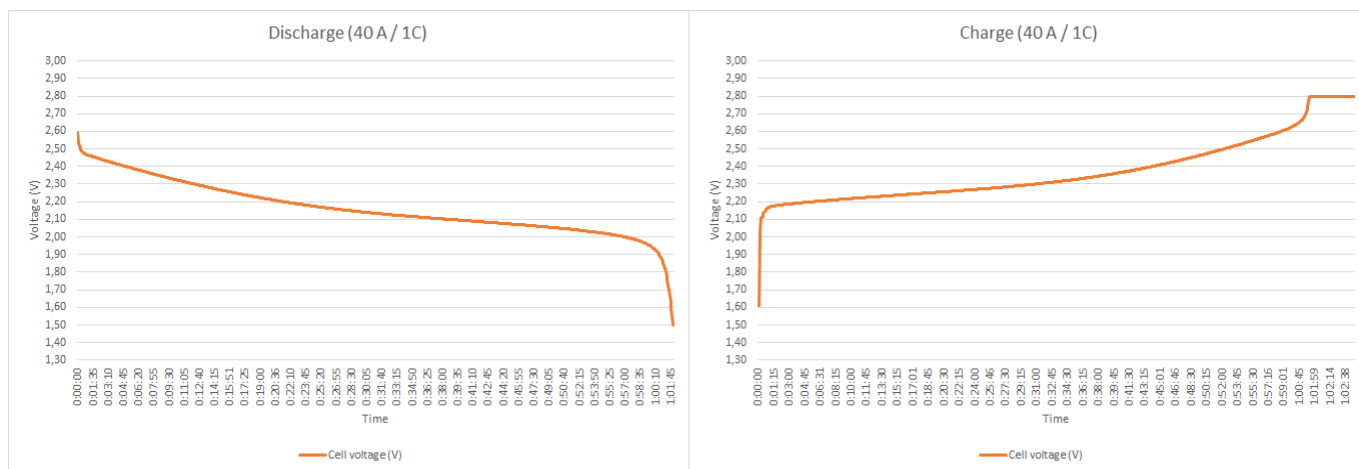
## Key Features

1. FASTER CHARGING: fully charged in 10 minutes
2. HIGH DISCHARGE RATE: up to 10C
3. WIDE WORKING TEMPERATURE RANGE: -50°C ~ 65°C
4. VERY LONG LIFETIME: over 30,000 cycles

## Engineering drawing (mm)



## Curves



## Technical specification

LTO-40Ah-CY	Specifications
Battery type	Lithium Titanate Battery (LTO)
<b>Electrical data</b>	
Nominal capacity	40 Ah
Nominal Voltage	2.3 V
Internal resistance	≤ 1mΩ
Max. charging current	10 C (400 A)
Charging upper limit voltage	2.8 V
Max. discharge current	10 C (400 A)
Discharge cut-off voltage	1.5 V
Cycle lifetime	30,000
<b>Operational requirements</b>	
Operating ambient temperature	-50°C ~ 65°C (Charging) -50°C ~ 65°C (Discharging)
Storage ambient temperature	-20°C ~ 45°C Short-term (within 1 month) -20°C ~ 20°C Long-term (within 1 year)
Storage humidity	<70%
<b>Mechanical data</b>	
Weight	1.25 kg
Cell construction type	Cylindrical
Cell diameter	66 mm
Cell height (excluding terminals)	160 mm
Cell height (including terminals)	202 mm
Shell material	Aluminum

GWL Power a.s.  
 Průmyslová 11, 102 19 Prague 10  
 Czech Republic, European Union